



DryLin® Linear Slide Tables - HTS SLWE-BB - With ball bearing lead screw supports

SLWE-BB DryLin® linear table uses ball bearings to carry loads in the axial direction, making them ideal for high RPM applications. Linear guide and lead screw absolutely lubrication-free. Compact and low profile linear actuator for manual or motor drive and higher dynamics.

DryLin®
Linear Slide Tables

Telephone 1-800-521-2747
Fax 1-401-438-7270

Internet: <http://www.igus.com>
email: sales@igus.com
QuickSpec: <http://www.igus.com/drylin-quickspec>



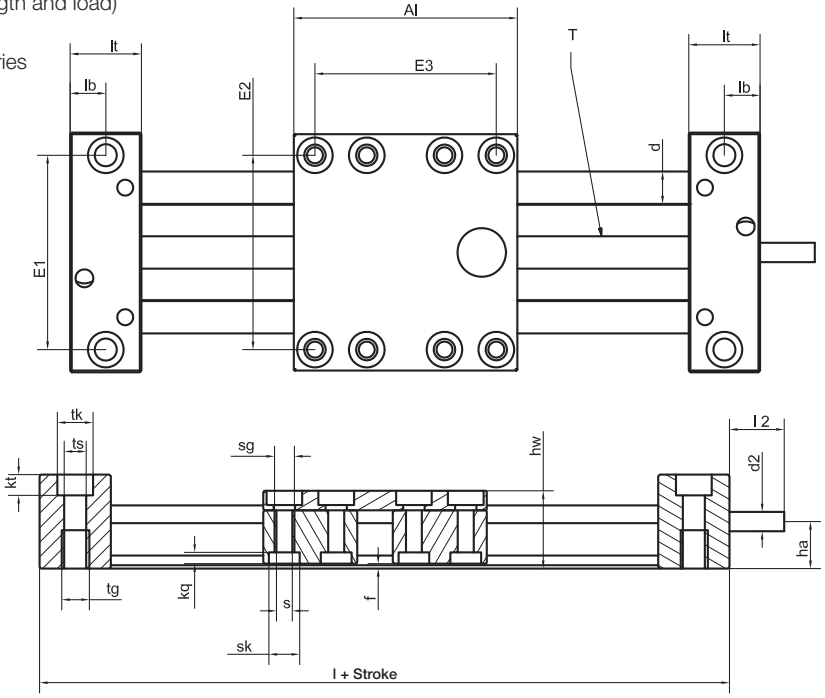
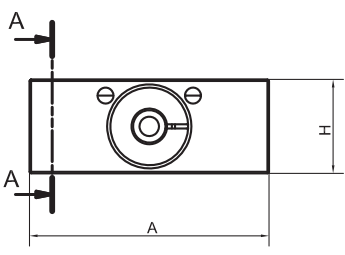
Special properties

- Lower drive force
- Optimized clearance
- Up to 1,500 rpm (depending on length and load)
- Quiet operation
- Available accessories

Component Materials

Part No.	End blocks	Carriages	Lead screw
SLW-1040-BB	Anodized AL	Zinc*	**Mild Steel

*Aluminum optional **Stainless Steel optional



Technical Data

Part No.	Maximum stroke (mm)	Base weight (kg)	Additional weight (kg/100 mm)	Max. static load capacity		Maximum spindle speed (1/min.)	Maximum feed speed (m/min.)
				axial (N)	radial (N)		
SLWE-BB-0630	300	0.25	0.08	100	200	1,000	1.5
SLWE-BB-1040	500	0.90	0.10	500	2,000	1,500	3.0
SLWE-BB-1660	750	1.80	0.30	700	2,800	1,500	6.0
SLWE-BB-2080	900	3.30	0.40	1,250	5,000	1,500	6.0

(1N = .225 lbs)

Dimensions (mm)

Part No.	A	Al	H	E1	E2	E3	l	hw	f	lt	lb	tk	ts
	-0.3	-0.3		±0.15	±0.15	±0.15				±0.1			
SLW-BB-0630	54	60	20	40	45	51	112	18	1.2	26	14	11	6.2
SLWE-BB-1040	74	69	19	60	60	56	129	24	1.5	30	19	11	6.8
SLWE-BB-1660	108	100	37	84	86	82	170	35	1.5	35	22.5	15	9.0
SLWE-BB-2080	134	150	46	116	116	132	230	44	1.5	40	26	15	8.6

Part No.	tg	kt	s	sk	sg	kq	d	T	l2	d2	d2*	ha
		±0.1								Standard	Optional	
SLWE-BB-0630	M8	8.0	4.5	7.0	M4	2.0	6	TR08x15	15	TR08x15	-	9.5
SLWE-BB-01040	M8	6.4	6.6	9.5	M6	4.4	10	TR10x12	17	TR10x12	6h9	14.5
SLWE-BB-01660	M10	8.6	9.0	11.0	M8	5.5	16	TR14x4	20	TR14x4	8h9	18.5
SLWE-BB-02080	M10	8.6	9.0	14.0	M8	5.5	20	TR18x4	26	12 h9	-	23.0

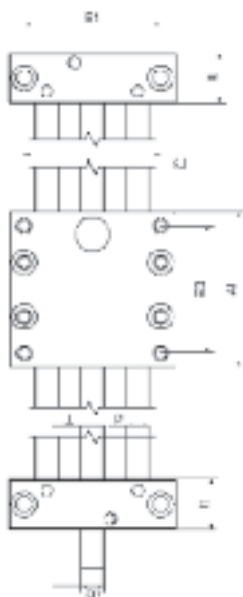
*ends may be journaled

DryLin® Linear Slide Table

SLWS - Hi-helix Lead Screw Tables



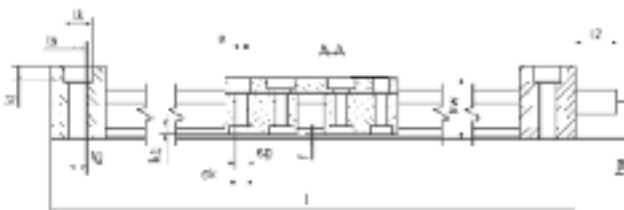
Based on our innovative DryLin® W double rail system, the SLWS offers a fully supported rail with resistance to twisting and deflection.



Component Materials

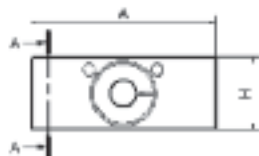
Part No.	End blocks	Carriages	Lead screw
SLWS-0630	Plastic	Zinc*	Stainless Steel
SLWS-1040	Zinc*	Zinc*	Stainless Steel
SLWS-1080	Aluminum	Zinc*	Stainless Steel
SLWS-2080	Aluminum	Zinc*	Stainless Steel

*Aluminum optional



Can be assembled with Turn-To-Fit
For clearance adjustment see page 47.13

- Hand wheel option



Length and weight (mm)

Part No.	Maximum stroke length (mm)	Linear travel mm/rev	Shaft weight (kg)	Additional weight (kg/100mm)	Max. static load-bearing capacity	
					axial (N)	radial (N)
SLWS-0630	300	15	0.2	0.08	25	100
SLWS-1040	750	12/50	0.7	0.1	150/100 ¹⁾	600/400
SLWS-1080	750	12/50	0.9	0.2	150/100	600/400
SLWS-2080	1000	100	3.0	0.4	300	1200

¹⁾ Dependent on screw pitch 10x12 or 10x50
(1N = .225 lbs)

Dimensions (mm)

Part No.	A	Al**	H	E1	E2	E3	l	hw	f	lt	tk	ts	tg
	-0.3	-0.3		±0.15	±0.15	±0.15				-0.1			
SLWS-0630	54	60	20	40	45	51	100	17.5	1.2	20	11	6.2	-
SLWS-1040	74	69	29	60	60	56	113	24	1.5	22	11	6.8	M8
SLWS-1080	108	100	29	94	94	87	144	24	1.5	22	11	7.1	M8
SLWS-2080	134	150	46	116	116	132	206	44	1.5	28	15	8.6	M10

Part No.	kt ±0.1	s	sk	sg	kq	d	T	l2	d2		ha
									Standard	Optional	
SLWS-0630	8.0	4.5	7.0	M4	2.0	6	8x15	15	8x15	-	9.5
SLWS-1040	6.4	6.6	9.5	M6	4.4	10	10x12/10x50	17	10x12/10x50	6h9	14.5
SLWS-1080	6.4	6.6	9.5	M6	4.4	10	10x12/10x50	17	10x12/10x50	6h9	18.5
SLWS-2080	8.6	9.0	14.0	M8	5.5	20	18x100	26	12 h9	-	23.0

* end of lead screw not machined/jouaned

** Carriages also available in 100, 150, 200 and 250 mm lengths

DryLin®
Linear Slide Tables

PDF: www.igus.com/drylin-pdfs
CAD: www.igus.com/drylin-CAD
RoHS info: www.igus.com/RoHS





DryLin® Linear Slide Table - HTS SLWE-PL Preload

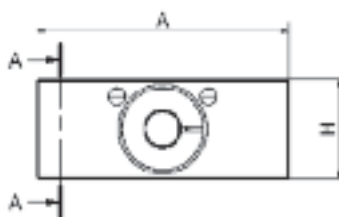
DryLin®
Linear Slide Tables

Telephone 1-800-521-2747
Fax 1-401-438-7270

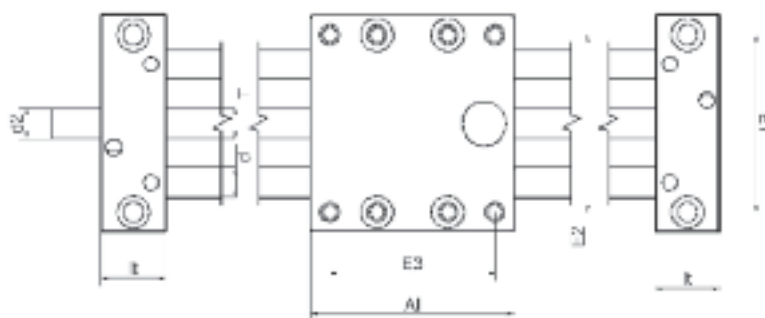
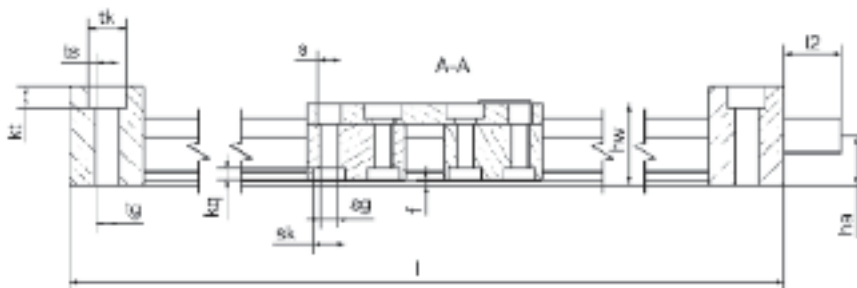
Internet: <http://www.igus.com>
email: sales@igus.com
QuickSpec: <http://www.igus.com/drylin-quickspec>



- Hand wheel option available at additional cost



The new preload version DryLin® SLWE-PL linear slide table offers an additional benefit to the standard systems. In the preloaded version the axial clearance is adjusted by two trapezoidal nuts. The carriage can be adjusted manually by a set screw.



Length and weight (mm)

Part No.	Maximum stroke length (mm)	Linear travel mm/rev	Shaft weight (kg)	Additional weight (kg/100mm)	Max. static load-bearing capacity	
					axial (N)	radial (N)
SLWE-1040	750	2	0.7	0.1	700	2800
SLWE-1080	750	2	0.9	0.2	700	2800
SLWE-1660	1000	4	1.5	0.3	1200	4600
SLWE-2080	1000	5	3.0	0.4	1600	6400

Dimensions (mm)

Part No.	A	Al**	H	E1	E2	E3	l	hw	f	lt	tk	ts	tg
	-0.3	-0.3		±0.15	±0.15	±0.15				-0.1			
SLWE-1040	74	69	29	60	60	56	113	24	1.5	22	11	6.8	M8
SLWE-1080	108	100	29	94	94	87	144	24	1.5	22	11	7.1	M8
SLWE-1660	104	100	37	84	86	82	150	35	1.5	25	15	9.0	M10
SLWE-2080	134	150	46	116	116	132	206	44	1.5	28	15	8.6	M10

Part No.	kt	s	sk	sg	kq	d	T	l2	d2	d2	ha
	±0.1								Standard	Optional	
SLWE-1040	6.4	6.6	9.5	M6	4.4	10	TR10x2	17	TR10x2*	6h9	14.5
SLWE-1080	6.4	6.6	9.5	M6	4.4	10	TR10x2	17	TR10x2*	6h9	14.5
SLWE-1660	8.6	9.0	11	M8	5.5	16	TR14x4	20	TR14x4*	8h9	18.5
SLWE-2080	8.6	9.0	14.0	M8	5.5	20	TR18x4	26	12 h9	-	23.0

* end of lead screw not machined/jouaned

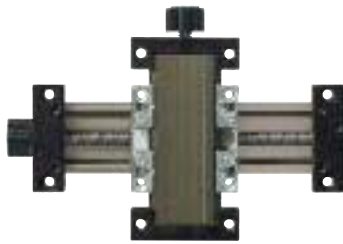
** Carriages also available in 100, 150, 200 and 250 mm lengths

DryLin® Linear Slide Table -HTS SLW - Compact XY-table

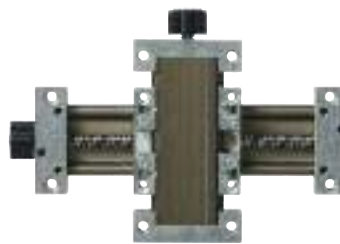


DryLin®
Linear Slide Tables

PDF: www.igus.com/drylin-pdfs
CAD: www.igus.com/drylin-CAD
RoHS info: www.igus.com/RoHS



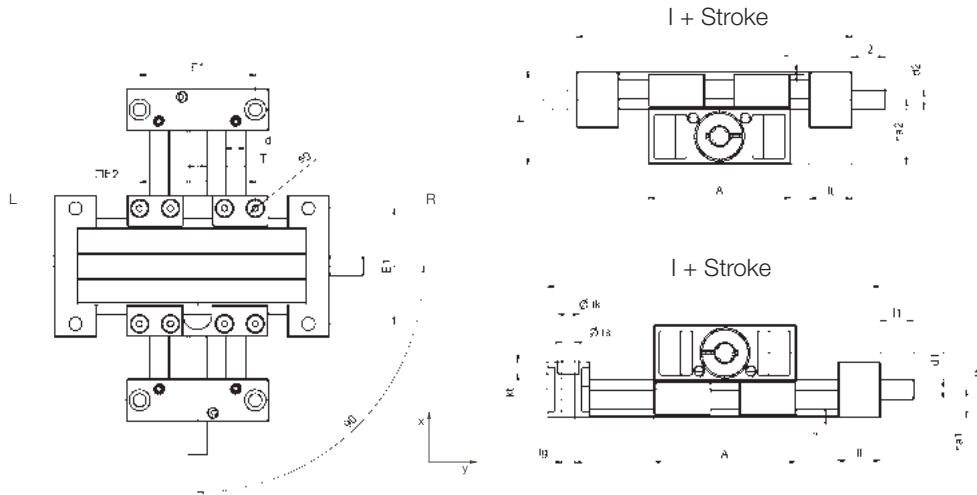
SLW-XY-0630



SLW-XY-1040



SLW-XY-1080



Can be assembled with Turn-To-Fit for clearance adjustment (size 1040 only)

Component Materials

Part No.	End blocks	Carriages	Lead screw	Maximum stroke
SLW-XY-0630	Plastic	Zinc*	Stainless Steel	300
SLW-XY-1040	Zinc*	Zinc*	Mild Steel**	750
SLW-XY-1080	Aluminum	Zinc*	Mild Steel**	750

*Aluminum optional **Stainless Steel optional

Dimensions (mm)

Part No.	Linear travel/rev (mm)	A -0.3 (mm)	H (mm)	E1 ±0.15 (mm)	E2 ±0.15 (mm)	Basic length lx (mm)	Basic length ly (mm)	f (mm)	lt (mm)	tk ±0.1 (mm)	ts (mm)	tg	kt (mm)
SLW-XY-0630	1.25	54	38	40	45	94	94	1.2	20	11	6	-	8
SLW-XY-1040	2	74	48	60	60	117	117	1.5	22	11	6.6	M8	6.4
SLW-XY-1080	108	48	94	94	152	152	152	1.5	22	11	6.6	M8	6.4

Part No.	sg	d (mm)	T	l1 (mm)	d1 standard	d1 optional	l2 (mm)	d2 standard	d2 optional	ha1 (mm)	ha2 (mm)	W ha2 - ha1 (mm)
SLW-XY-0630	M4	5	M8	15	M8	NA	15	M8	NA	9.5	27.9	18.4
SLW-XY-1040	M6	10	TR10x2	17	TR10x2	6h9	17	TR10x2	6h9	18	38	20
SLW-XY-1080	M6	10	TR10x2	17	TR10x2	6h9	17	TR10x2	6h9	14.5	33.5	19

The hand wheel on the y-axis can be ordered installed on the left or the right side.

Order example for left SLW-XY-1040-L-200-300 for 200 mm stroke length on the x-axis and 300 mm on the y-axis.

Order example for right SLW-XY-1040-R-200-300 for 200 mm stroke length on the x-axis and 300 mm on the y-axis.

Lifetime calculation, CAD files online: www.igus.com

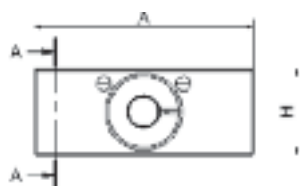


DryLin® Linear Slide Tables - HTS SLW-ES - Stainless Steel

DryLin®
Linear Slide Tables

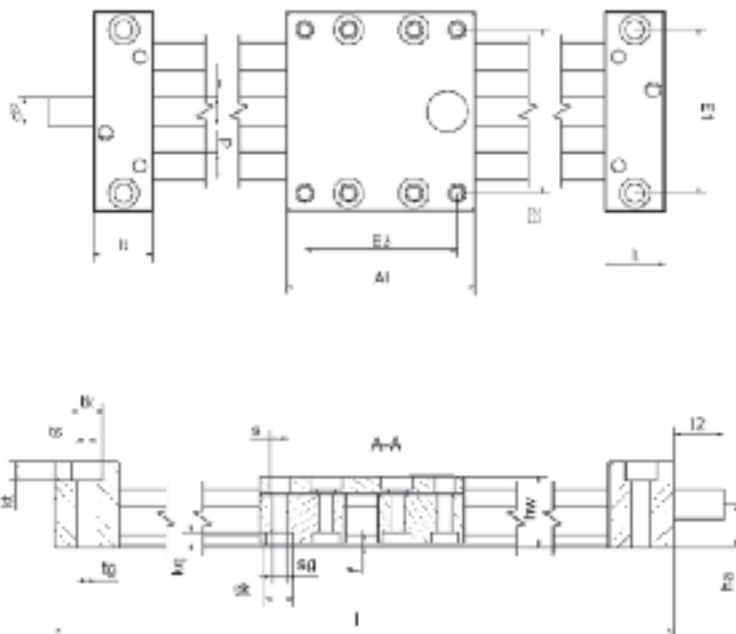
Telephone 1-800-521-2747
Fax 1-401-438-7270

Internet: <http://www.igus.com>
email: sales@igus.com
QuickSpec: <http://www.igus.com/drylin-quickspec>



Special properties

- Stainless steel version with corrosion-resistant steel components
- Choice of bearing material:
 - iglide® J - standard
 - iglide® A180 - FDA
 - iglide® T500 - high temperature up to 482°F
- Available accessories



Can be assembled with Turn-To-Fit
For clearance adjustment see page 47.13

Dimensions (mm)

Part No.	A	Al**	H	E1	E2	E3	l	hw	f	lt	tk	ts	tg
	-0.3	-0.3		±0.15	±0.15	±0.15				-0.1			
SLW-ES-1040	74	100	29	60	60	87	113	24	1.5	22	11	6.8	M8
SLW-ES-2080	134	150	46	116	116	132	206	44	1.5	28	15	8.0	M10

Part No.	kt	s	sk	sg	kq	d	T	l2	d2	d2	ha
	±0.1								Standard	Optional	
SLW-ES-1040	6.4	6.6	9.5	M6	4.4	10	TR10x2	17	TR10x2*	6h9	14.5
SLW-ES-2080	8.6	9.0	14.0	M8	5.5	20	TR18x4	26	12 h9	-	23.0

* end of lead screw not machined/jouaned

** Carriages also available in 100, 150, 200 and 250 mm lengths

Length and weight (mm)

Part No.	Maximum stroke length (mm)	Linear travel/rev (mm)	Lead screw diameter (mm)	Shaft weight (kg)	Additional weight (kg/100mm)	Max. static load-bearing capacity	
						axial (N)	radial (N)
SLW-ESJ-1040	750	1.25	10	0.2	0.08	50	200
SLW-ESX-1040	750	2	10	0.7	0.1	700	2800
SLW-ESA180-1040	750	2	10	0.9	0.2	700	2800
SLW-ESJ-2080	1000	4	18	1.5	0.3	1200	4600
SLW-ESA180-2080	1000	5	18	3.0	0.4	1600	6400

1N = .225 lbs

DryLin® Linear Slide Tables

SLW - Compact XY-table, stainless steel

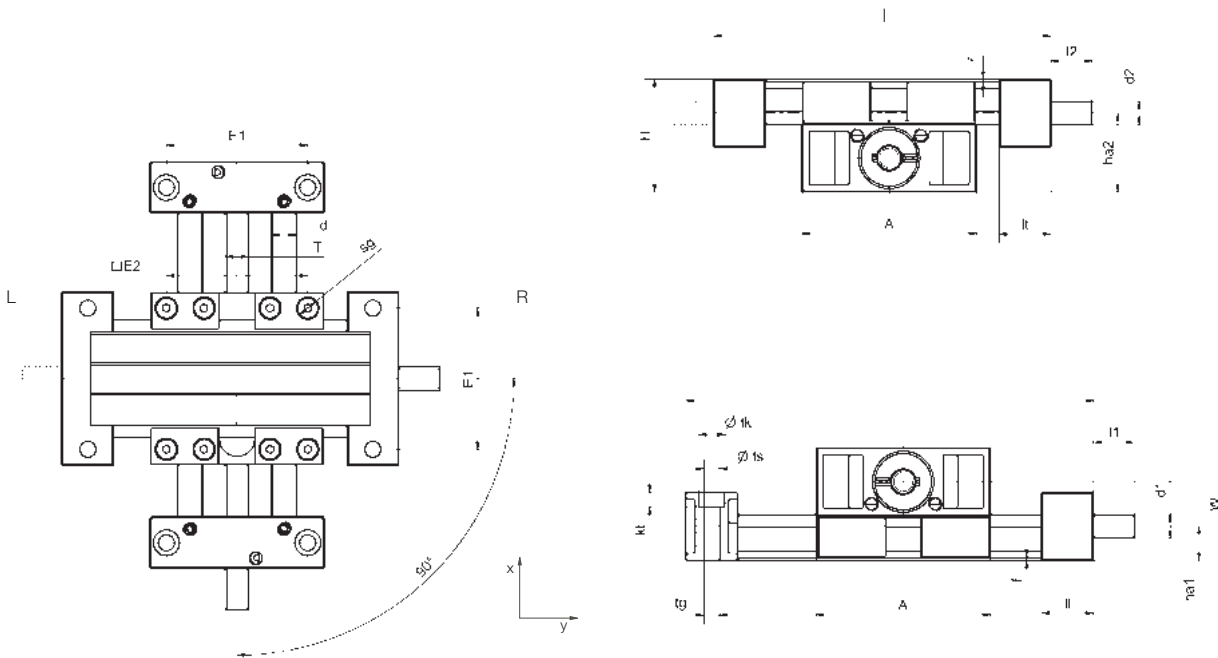


Special properties

- For manual adjustments
- Flat and compact
- High torsional stability stiffness
- Complete design with stainless steel 316
- 100% lubrication-free
- Chemical and Corrosion-resistant
- Accessories optional

DryLin®
Linear Slide Tables

PDF: www.igus.com/drylin-pdfs
CAD: www.igus.com/drylin-CAD
RoHS info: www.igus.com/RoHS



Dimensions (mm)

Part No.	A	H	E1	E2	Base Length lx	Base Length ly	f	lt	tk	ts	tg	kt
SLW-XY-ESJ-1040	-0.3		±0.15	±0.15	118	118	1.5	22	-0.1	6.6	M8	6.4

Part No.	sg	d	T	l1	d1 Standard	d1 Optional	l2	d2 Standard	d2 Optional	ha1	ha2	W
SLW-XY-ESJ-1040	M6	10	TR10x2	17	TR10x2	6h9	17	TR10x2	6h9	14.5	33.5	19

The hand wheel on the y-axis can be ordered installed on the left or the right side.

Order example for left SLW-XY-ESJ-1040-AWM-200-300 for 200 mm stroke length on the x-axis and 300 mm on the y-axis.

Order example for left SLW-XY-ESJ-1040-AWM-R-200-300 for 200 mm stroke length on the x-axis and 300 mm on the y-axis.





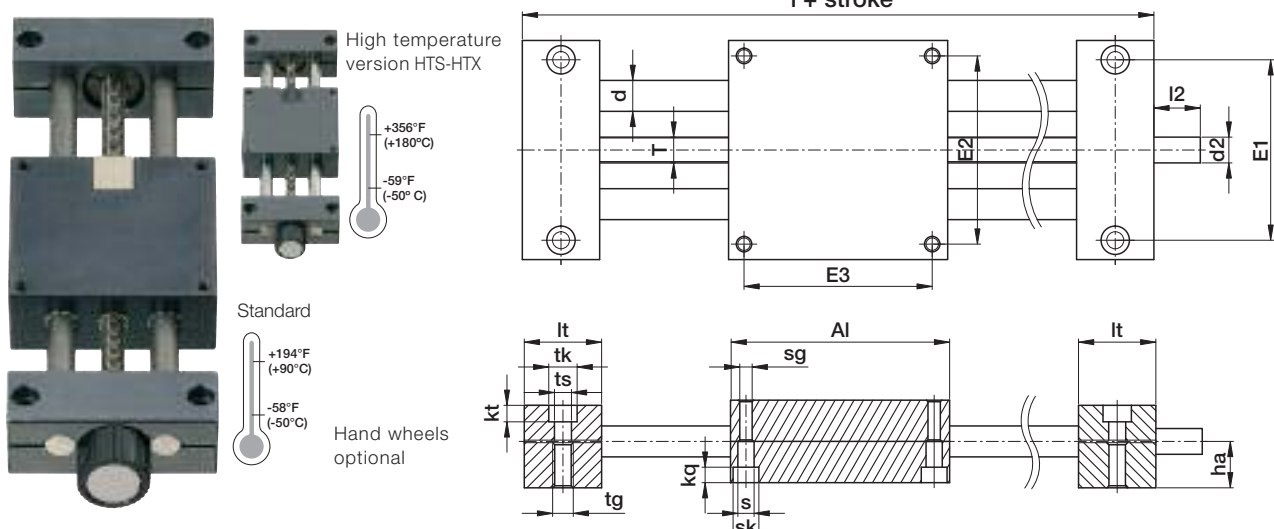
DryLin® Linear Slide Tables HTS Slide Table System

DryLin®
Linear Slide Tables

Telephone 1-800-521-2747
Fax 1-401-438-7270

Internet: <http://www.igus.com>
email: sales@igus.com
QuickSpec: <http://www.igus.com/drylin-quickspec>

Tough and adaptable, HTS is the most flexible system and is available with several shaft and screw combinations, including hard anodized aluminum and stainless steel. All HTS tables are designed to be simple bolt-on solutions. HTSC offers a compact(act carriage).



Component Materials

Part No.	Shafting	End blocks/Carriages	Bearings	Lead screw
HTS	Hard Anodized AL*	Anodized AL	iglide® plastic	Mild Steel**
HTS-HTX	Stainless 440C	Anodized AL	iglide® plastic	Stainless 304

*Case hardened carbon (1050) & Hardened stainless (440C) optional
**Stainless (304SS) optional

Length (mm) and Weight

Part No.	Maximum stroke length (mm)	Linear travel/rev (mm)	Aluminum Shaft		Steel Shaft		Max. static load-bearing capacity	
			weight (kg)	add'l weight (per 100 mm) (kg)	weight (kg)	add'l weight (per 100 mm) (kg)	axial (N)	radial (N)
HTS-12-AWM	750	2	1.1	0.1	1.3	0.2	700	2800
HTS-20-AWM	1000	4	3.2	0.3	3.9	0.6	1600	6400
HTS-30-AWM	1250	5	8.6	0.6	10.9	1.4	2500	10000

Hi Temperature (-59°F - 356°F)

HTS-12-EWM-HTX**	750	2	1.1	0.1	1.3	0.2	700	2800
------------------	-----	---	-----	-----	-----	-----	-----	------

(1N = .225 lbs)

Dimensions (mm)

Part No.	A	Al	H	E1	E2	E3	I	R	f	lt	tk	ts
	-0.3	-0.3		±0.15	±0.15	±0.15				±0.1		
HTS-12-AWM	85	85	34	70	73	73	145	42	2	30	11	6.6
HTS-20-AWM	130	130	48	108	115	115	202	72	2	36	15	9.0
HTS-30-AWM	180	180	68	150	158	158	280	96	4	50	20	13.5

Hi Temperature (-59°F - 356°F)

HTS-12-EWM-HTX**	85	85	34	70	73	73	145	42	2	30	11	6.6
------------------	----	----	----	----	----	----	-----	----	---	----	----	-----

Part No.	tg	kt	s	sk	sg	kq	d	T	I2	d2	ha
		±0.1								Standard	
HTS-12-AWM	M8	6.4	6.3	10	M6	6.0	12	TR10 x 2	17	TR10 x 2*	18
HTS-20-AWM	M10	8.6	6.4	11	M8	7.0	20	TR18 x 4	26	12 h9	23
HTS-30-AWM	M16	12.6	11.0	18	M12	10.6	30	TR24 x 5	38	14 h9	36

Hi Temperature (-59°F - 356°F)

HTS-12-EWM-HTX**	M8	6.4	6.3	10	M6	6.0	12	TR10 x 2	17	TR10 x 2*	18
------------------	----	-----	-----	----	----	-----	----	----------	----	-----------	----

* TR10x2 lead screw end unmachined (10 mm OD x 2 mm pitch), optional 6mm available

DryLin® Linear Slide Table

HTS-PL Adjustable Clearance and Anti-Backlash



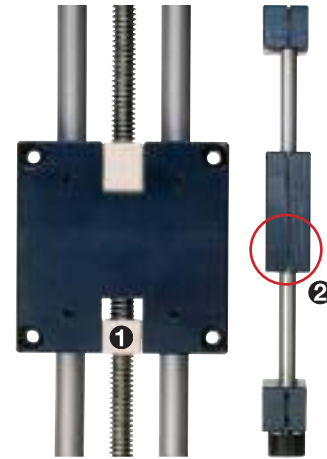
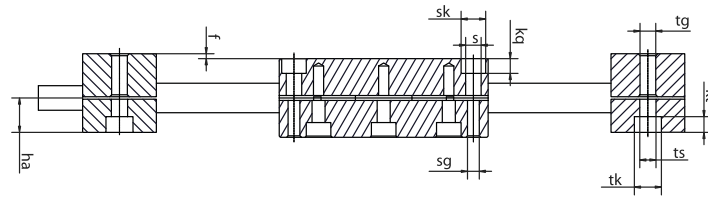
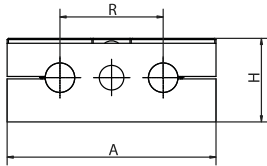
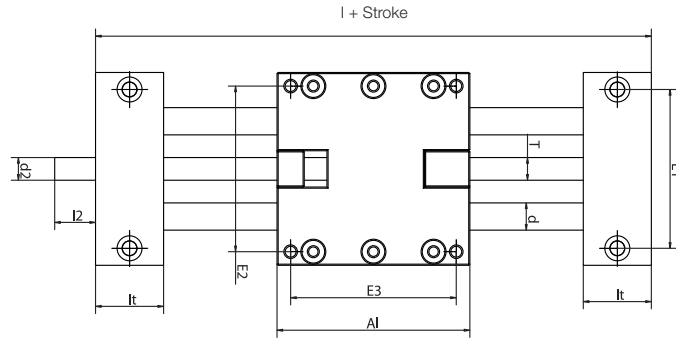
DryLin®
Linear Slide Tables

PDF: www.igus.com/drylin-pdfs
CAD: www.igus.com/drylin-CAD
RoHS info: www.igus.com/RoHS



Special properties

- Lubricant-free
- Preloaded trapezoidal lead screw nut, Pretension force 11.2 lbf (50 N)
- Radial clearance is adjustable from both sides
- Low weight



- ① Preloaded trapezoidal lead screw nut
② Radial clearance adjustable from both sides with adjustment screws

Radial clearance adjustable from both sides with adjustment screws

Component Materials

Part No.	Shafting	End blocks/Carriages	Bearings	Lead screw
HTS	Hard Anodized AL*	Anodized AL	iglide® plastic	Mild Steel**

*Case hardened carbon (1050) & Hardened stainless (440C) optional

**Stainless (304SS) optional

Length (mm) and Weight

Part No.	Maximum stroke length (mm)	Linear travel/rev (mm)	Aluminum shaft weight		Steel shaft weight		Max. static load-bearing capacity	
			weight (kg)	add 'l weight (per 100 mm) (kg)	weight (kg)	add 'l weight (per 100 mm) (kg)	axial (N)	radial (N)
HTS-12-AWM-PL	750	2	1.1	0.1	1.3	0.2	700	2800
HTS-20-AWM-PL	1000	4	3.2	0.3	3.9	0.6	1600	6400
HTS-30-AWM-PL	1250	5	8.6	0.6	10.9	1.4	2500	10000

(1N = .225 lbs)

Dimensions (mm)

Part No.	A	Al	H	E1	E2	E3	I	R	f	l1	tk	ts
	-0.3	-0.3		±0.15	±0.15	±0.15				±0.1		
HTS-12-AWM-PL	85	85	34	70	73	73	145	42	2	30	11	6.6
HTS-20-AWM-PL	130	130	48	108	115	115	202	72	2	36	15	9.0
HTS-30-AWM-PL	180	180	68	150	158	158	280	96	4	50	20	13.5

Part No.	tg	kt ±0.1	s	sk	sg	kq	d	T	l2	d2 Standard	ha
HTS-12-AWM-PL	M8	6.4	6.3	10	M6	6.0	12	TR10x2	17	TR10x2*	18
HTS-20-AWM-PL	M10	8.6	6.4	11	M8	7.0	20	TR18x4	26	12 h9	23
HTS-30-AWM-PL	M16	12.6	11.0	18	M12	10.6	30	TR24x5	38	14 h9	36

* TR10x2 lead screw end unmachined, optional 6mm available

Lifetime calculation, CAD files online: www.igus.com



DryLin® Linear Slide Tables

HTS-BB Slide Table System

DryLin®
Linear Slide Tables

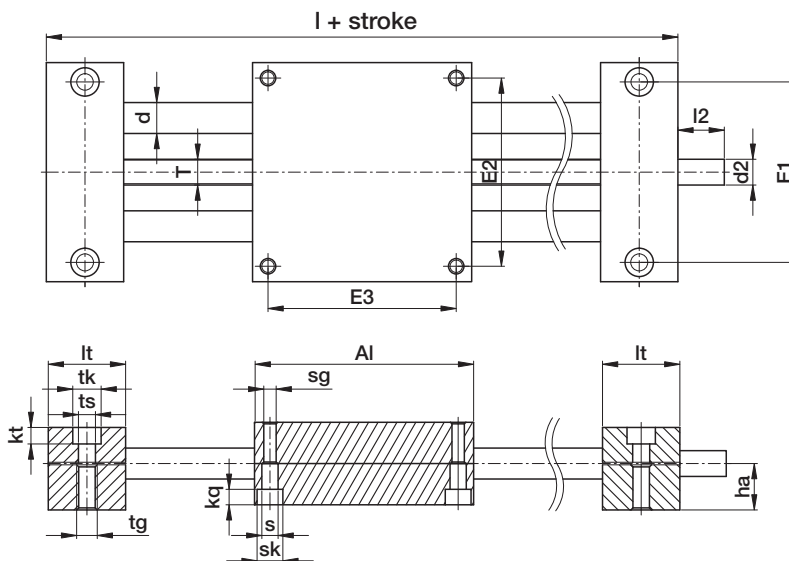
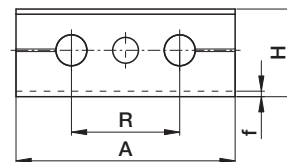
Telephone 1-800-521-2747
Fax 1-401-438-7270



Hand wheel optional

Special properties

- Higher speeds
- Higher precision
- Constant torque



Component Materials

Part No.	Shafting	End blocks/Carriages	Bearings	Lead screw
HTS-BB	Hard Anodized AL*	Anodized AL	iglide® plastic	Mild Steel**

*Case hardened carbon (1050) & Hardened stainless (440C) optional
**Stainless (304SS) optional

Length (mm) and Weight

Part No.	Maximum stroke length (mm)	Aluminum Shaft		Steel Shaft		Max. static load-bearing capacity	
		weight (kg)	add'l weight (per 100 mm) (kg)	weight (kg)	add'l weight (per 100 mm) (kg)	axial (N)	radial (N)
HTS-BB-12	500	0.7	0.1	0.8	0.2	350	1,400
HTS-BB-20	900	1.9	0.3	2.3	0.6	1,000	4,000
HTS-BB-30	1,000	4.6	0.6	5.8	1.4	1,500	6,000

(1N = .225 lbs)

Dimensions (mm)

Part No.	A	Al	H	E1	E2	E3	I	R	f	lt	tk	ts
	-0.3	-0.3		±0.15	±0.15	±0.15				±0.1		
HTS-BB-12-AWM-Stroke	85	85	34	70	73	73	145	42	2	30	11	6.6
HTS-BB-20-AWM-Stroke	130	130	48	108	115	115	202	72	2	36	15	9.0
HTS-BB-30-AWM-Stroke	180	189	68	150	158	158	280	96	4	50	20	13.5

Part No.	tg	kt	s	sk	sg	kq	d	T	l2	d2	ha
		±0.1								Standard	
HTS-BB-12-AWM-PL	M8	6.4	6.3	10	M6	6.0	12	TR10x2	17	TR10x2*	18
HTS-BB-20-AWM-PL	M10	8.6	6.4	11	M8	7.0	20	TR18x4	26	12 h9	23
HTS-BB-30-AWM-PL	M16	12.6	11.0	18	M12	10.6	30	TR24x5	38	14 h9	36

Internet: <http://www.igus.com>
email: sales@igus.com
QuickSpec: <http://www.igus.com/drylin-quickspec>

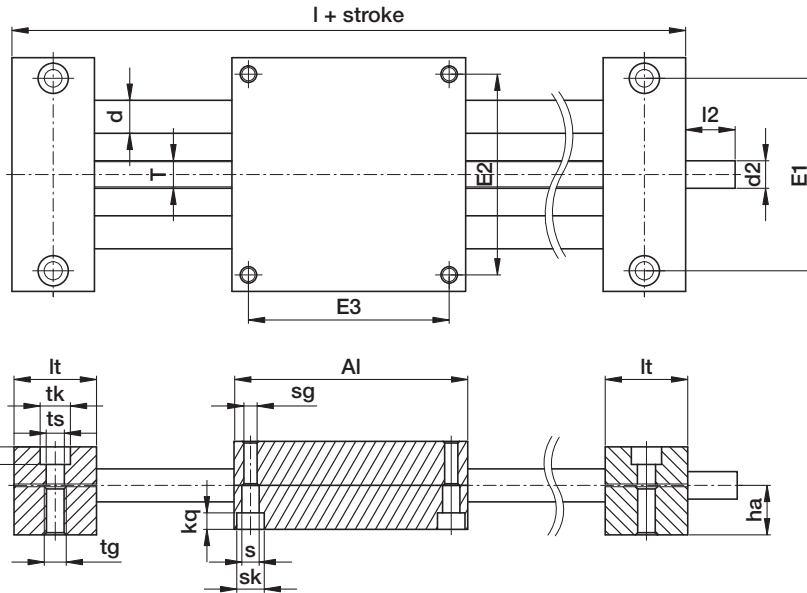
DryLin® Linear Slide Table

HTSS Fast Pitch Lead screws



Special properties

- High helix pitch lead screw
HTSS-12 moves 10x12/10x50
HTSS-20 moves 18x100
- High-speed solution
- Maintenance-free
- Dry running
- Hand wheel option



Component Materials

Part No.	Shafting	End blocks/Carriages	Bearings	Lead screw
HTSS	Hard Anodized AL*	Anodized AL	iglide® plastic	Stainless

*Case hardened carbon (1050) & Hardened stainless (440C) optional

Length (mm) and Weight

Part No.	Linear travel/rev (mm)	Maximum stroke length (mm)	Aluminum shaft		Max. static load-bearing capacity	
			weight (kg)	add'l weight (per 100 mm) (kg)	axial (N)	radial (N)
HTSS-12-AWM	12/50	750	0.7	0.1	150/100 ¹⁾	600/400
HTSS-20-AWM	100	1000	1.9	0.3	300	1200

¹⁾ Dependent on screw pitch 10x12 or 10x50

(1N = .225 lbs)

Dimensions (mm)

Part No.	A	Al	H	E1	E2	E3	I	R	f	l _t	t _k	t _s	t _g	
HTSS-12-AWM	-0.3	-0.3	34	±0.15	±0.15	±0.15	145	42	2	±0.1	30	11	6.6	M8
HTSS-20-AWM	130	130	48	108	115	115	202	72	2	36	15	9.0	M10	

Part No.	k _t	s	s _k	s _g	k _q	d	T	l ₂	d ₂	h _a
HTSS-12-AWM	±0.1	6.3	10	M6	6.0	12	TR10x50	17	Standard	18
HTSS-20-AWM	±0.1	6.4	11	M8	7.0	20	TR18x100	26	Standard	23

* TR10x50 supplied with lead screw end unmachined, optional 6mm available

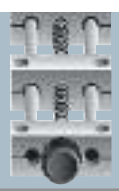
Available lead screws: 10 mm OD w/ 50 mm pitch
18 mm OD w/100 mm pitch

Lifetime calculation, CAD files online: www.igus.com

DryLin®
Linear Slide Tables

PDF: www.igus.com/drylin-pdfs
CAD: www.igus.com/drylin-CAD
RoHS info: www.igus.com/RoHS





DryLin® Linear Slide Table - HTS HTS-FF - Fast Forward

DryLin®
Linear Slide Tables

Telephone 1-800-521-2747
Fax 1-401-438-7270

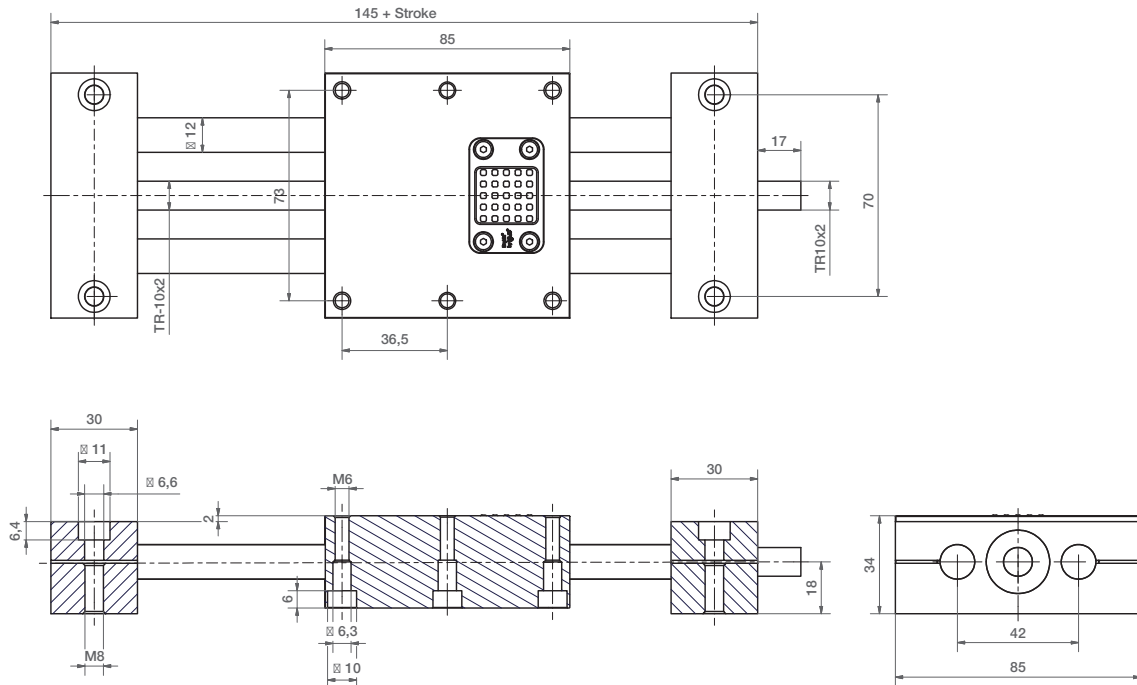
Internet: <http://www.igus.com>
email: sales@igus.com
QuickSpec: <http://www.igus.com/drylin-quickspec>



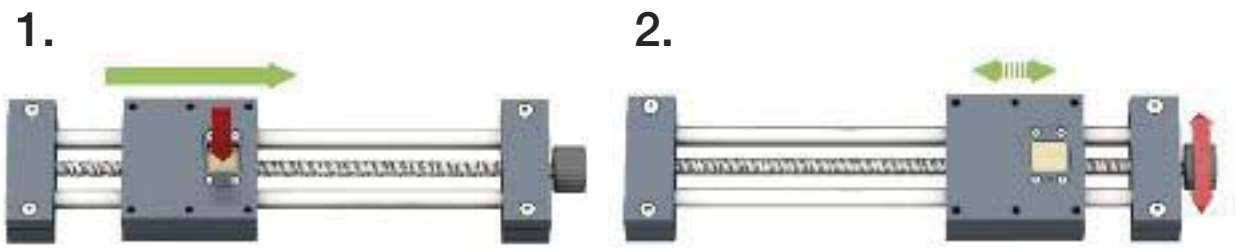
HTS linear tables with quick release mechanism offer a combination of accurate positioning and quick manual adjustment.

Special properties

- Aluminum carriage and end blocks
- For fast format adjustments
- Variable stroke length
- Only recommended for horizontal applications
- Max. static axial load 200 N (horizontal installation position)
- Max. dynamic axial load 50 N
- Hand wheel optional



Part number	Max. length of stroke (mm)	Weight (kg)	Additional weight pro 100 mm
HTS-12-AWM-FF	750	1.1	0.1



Press > disengage > move manually > click into place > fine-tune

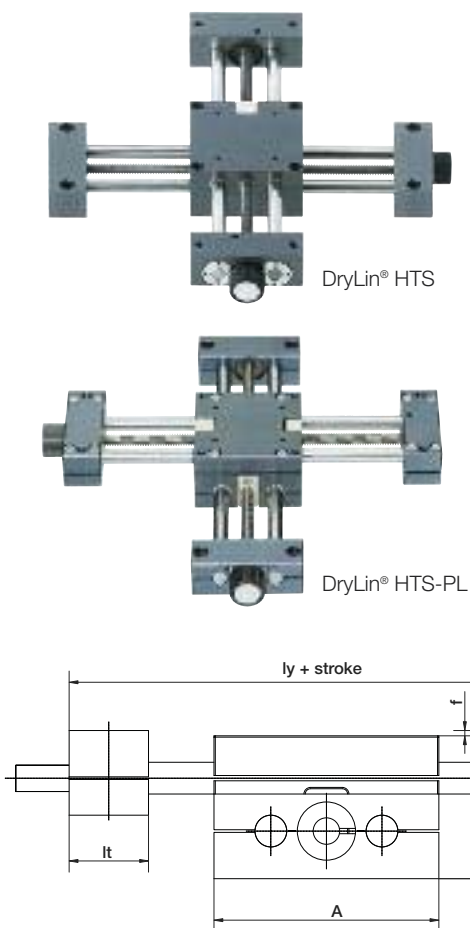
DryLin® Linear Slide Table - HTS

HTS-PL XY Table



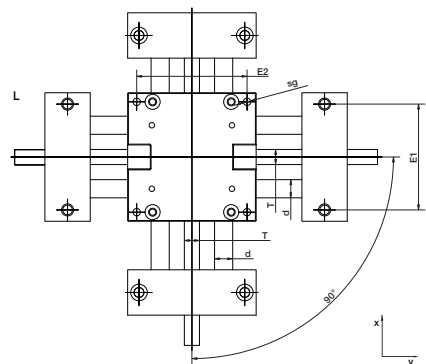
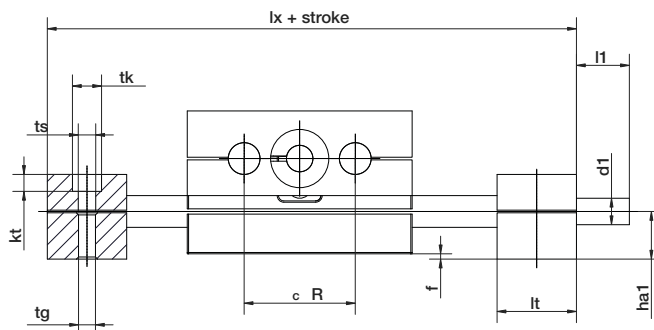
DryLin®
Linear Slide Tables

PDF: www.igus.com/drylin-pdfs
CAD: www.igus.com/drylin-CAD
RoHS info: www.igus.com/RoHS



Special properties

- High precision, extreme stiffness and exact alignment, single piece carriage
- Available as standard and preloaded
- Hand wheel optional



Component Materials

Part No.	Shafting	End blocks/Carriages	Bearings	Lead screw
HTS	Hard Anodized AL*	Anodized AL	iglide® plastic	Mild Steel**

*Case hardened carbon (1050) & Hardened stainless (440C) optional

**Stainless (304SS) optional

Length (mm) and Weight

Part No.	Linear travel/rev (mm)	A (mm)	H (mm)	E1 (mm)	E2 (mm)	Basic length lx (mm)	Basic length ly (mm)	R (mm)	f (mm)	lt (mm)	tk (mm)	ts (mm)	tg (mm)	kt (mm)
HTS-XY-12	2	85	56	70	73	145	145	42	2	30	11	6.6	M8	6.4
HTS-XY-12-PL	2	85	56	70	73	145	145	42	2	30	11	6.6	M8	6.4
HTS-XY-20-EWM-PL	4	130	86	108	115	202	202	72	2	36	15	9.0	M10	8.6

Dimensions (mm)

Part No.	sg	d (mm)	T	l1 (mm)	d1		l2 (mm)	d2		ha1 (mm)	ha2 (mm)	W (mm)
					standard	optional		standard	optional			
HTS-XY-12	M6	12	TR10x2	17	TR 10x2	6h9	17	TR10x2	6h9	18	38	20
HTS-XY-12-PL	M6	12	TR10x2	17	TR 10x2	6h9	17	TR10x2	6h9	18	38	20

PL = HTS-Preload-version

Order example:

The rotary knob on the y-axis can be ordered installed on the left or on the right side.

Order example for left HTS-XY-12-L-200-300 for 200 mm stroke length on the x-axis and 300 mm on the y-axis.

Order example for right HTS-XY-12-R-200-300 for 200 mm stroke length on the x-axis and 300 mm on the y-axis.

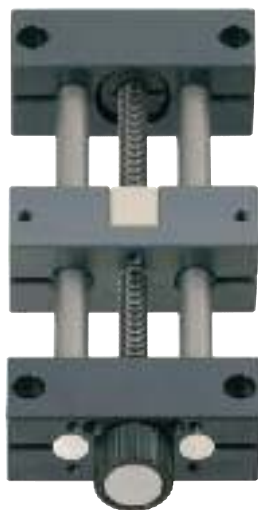


DryLin® Linear Slide Tables - HTS HTSC - Compact Carriages

DryLin®
Linear Slide Tables

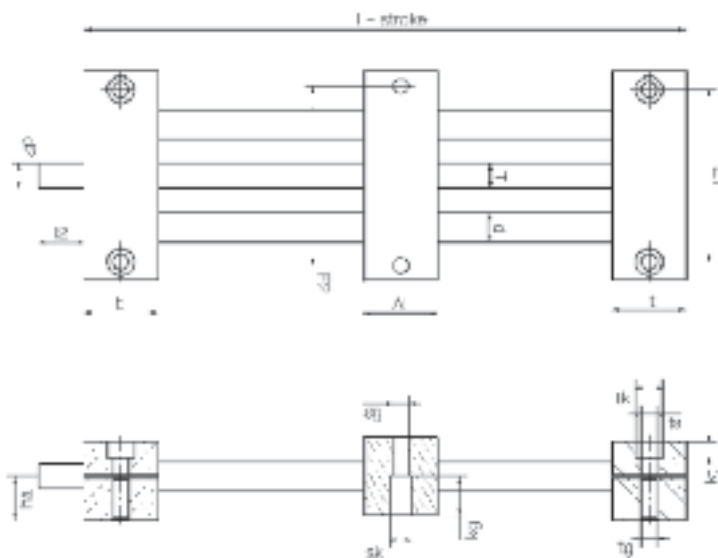
Telephone 1-800-521-2747
Fax 1-401-438-7270

Internet: <http://www.igus.com>
email: sales@igus.com
QuickSpec: <http://www.igus.com/drylin-quickspec>



Special properties

- Solid flexible design
- Ideal for 2 carriages
- Dry running and maintenance-free
- Hand wheel optional
- Adjustable radial clearance

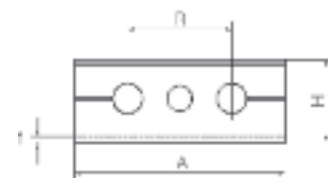


Component Materials

Part No.	Shafting	End blocks/Carriages	Bearings	Lead screw
HTSC	Hard Anodized AL*	Anodized AL	iglide® plastic	Mild Steel**

*Case hardened carbon (1050) & Hardened stainless (440C) optional

**Stainless (304SS) optional



Length (mm) and Weight

Part No.	Maximum stroke length (mm)	Linear travel/rev (mm)	Aluminum shaft		Steel shaft		Max. static load-bearing capacity	
			weight (kg)	add'l weight (per 100 mm) (kg)	weight (kg)	add'l weight (per 100 mm) (kg)	axial (N)	radial (N)
HTSC-12-AWM	750	2	0.7	0.1	0.8	0.2	700	2800
HTSC-20-AWM	1000	4	1.9	0.3	2.3	0.6	1600	6400
HTSC-30-AWM	1250	5	4.6	0.6	5.8	1.4	2500	10000
HTSC-40-AWM	1500	5	11.0	0.9	16.0	2.4	4000	16000
HTSC-50-AWM	1500	6	17.0	1.2	26.3	3.5	6250	25000

(1N = .225 lbs)

Dimensions (mm)

Part No.	A	Al -0.3	H -0.3	E1	E2 ±0.15	I ±0.15	R	f	lt	tk ±0.1	ts	tg
HTSC-12-AWM	85	30	34	70	73	90	42	2	30	11	6.6	M8
HTSC-20-AWM	130	36	48	108	115	108	72	2	36	15	9.0	M10
HTSC-30-AWM	180	50	68	150	158	150	96	4	50	20	13.5	M16
HTSC-40-AWM	230	70	84	202	202	210	122	4	70	20	13.5	M16
HTSC-50-AWM	280	80	100	250	250	240	152	4	80	20	13.5	M16

Part No.	kt ±0.1	sk	sg	kq	d	T	l2	d2 Standard	ha
HTSC-12-AWM	6.4	10	M6	6.0	12	TR10x2	17	TR10x2*	18
HTSC-20-AWM	8.6	11	M8	7.0	20	TR18x4	26	12 h9	23
HTSC-30-AWM	12.6	18	M12	10.6	30	TR24x5	38	14 h9	36
HTSC-40-AWM	12.6	20	M16	39	40	TR26x5	45	16	44
HTSC-50-AWM	12.6	20	M16	49	50	TR30x6	50	20	52

* TR10x2 supplied with lead screw end unmachined, optional 6mm available

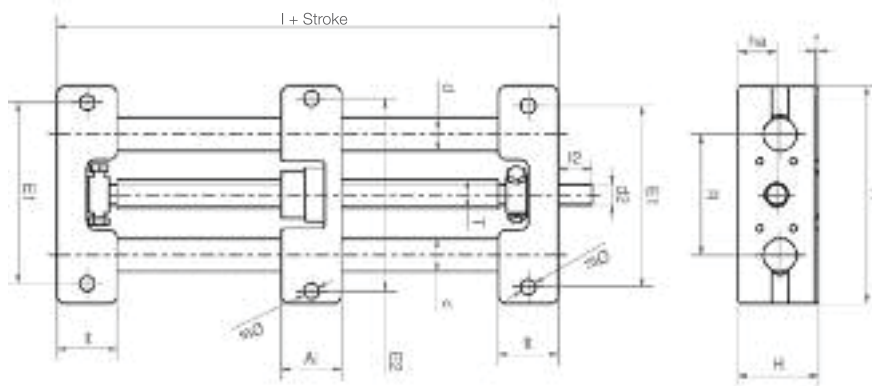
DryLin® Linear Slide Tables - HTS HTSC-HYD - Hygienic Design



Based on the “hygienic design” idea, this version offers an easily cleaned solution. Even screw connectors are designed easily accessible and the gap dimensions accordingly generous. The materials used are plastic and 300 series stainless steel.



DryLin®
Linear Slide Tables



Dimensions (mm)

Part No.	A	AI	H	E1	E2	I	R	f	It	ts	d	T	l2	d2	ha	
HTSC-20-EWM-HYD	-0.3	-0.3	48	±0.15	±0.15	108	72	2	±0.1	36	9.0	20	tr18x4	26	12h9	23

PDF: www.igus.com/drylin-pdfs
CAD: www.igus.com/drylin-CAD
RoHS info: www.igus.com/RoHS





DryLin® Linear Slide Table - HTS

HTSP - Small, Low Cost and Corrosion Resistant

HTSP is the most cost-effective and lightweight unit available. Recommended for handling low weight applications by hand or low-speed motor. HTSP works well in corrosive environments.

DryLin®
Linear Slide Tables

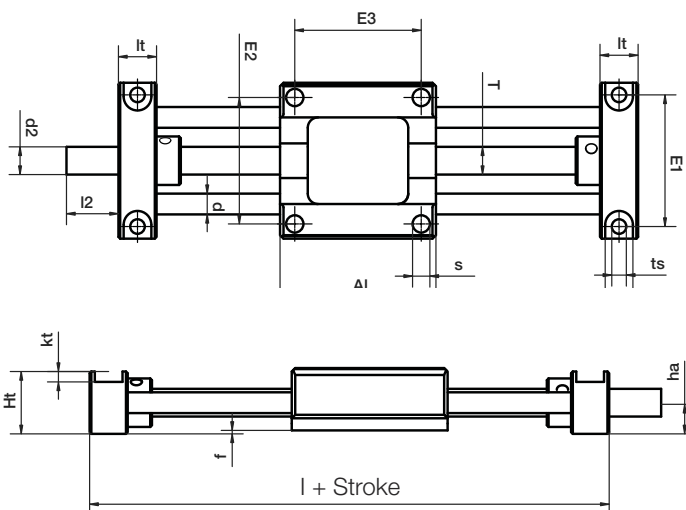
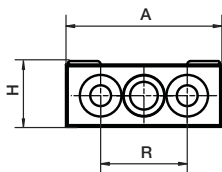
Telephone 1-800-521-2747
Fax 1-401-438-7270

Internet: <http://www.igus.com>
email: sales@igus.com
QuickSpec: <http://www.igus.com/drylin-quickspec>



Special properties

- Small version
- Very low weight
- Low cost
- Corrosion resistant
- Accessories optional (rotary knob, position indicator ...)
- Carriage and end blocks made from high performance polymers
- Hand wheel optional
- For hand powered applications only



Component Materials

Part No.	Shafting	End blocks/Carriages	Bearings	Lead screw
HTSP	Hard Anodized AL*	Anodized AL	iglide® plastic	Stainless Steel

*Case hardened carbon (1050) & Hardened stainless (440C) optional

Lengths (mm) and Weight

Part No.	Linear travel/rev	Maximum stroke length (mm)	Aluminum shaft		Special properties
			weight (kg)	Add'l weight (kg) (per 100 mm)	
HTSP-01-06	1.25	300	0.11	0.06	Square carriage with four symmetrical connection bores

Dimensions (mm)

Part No.	A	Al	H	Ht	E1	E2	E3	I	R	f	It	tk	ts
HTSP-01-06	45	45	19	18	38	36.5	36.5	67	25	1	11	8	4.2

Part No.	s	sg	d	T	I2	d2* standard	ha	Max. static load-bearing capacity	
								axial (N)	radial (N)
HTSP-01-06	5.1	-	6	M8	15	M8	9	50	200

(1N = .225 lbs)

* Standard versions supplied with lead screw end unmachined

Lead screw clamp not available

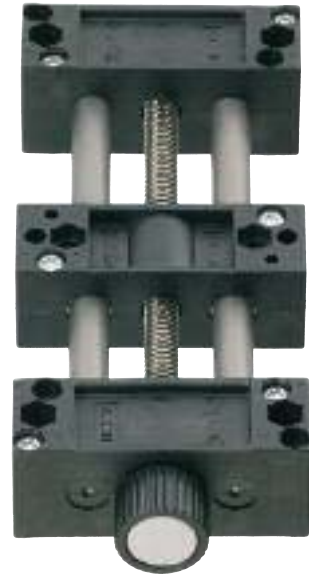
Lifetime calculation, CAD files online: www.igus.com

DryLin® Linear Slide Table - HTS

HTSP - Low Cost and Corrosion Resistance

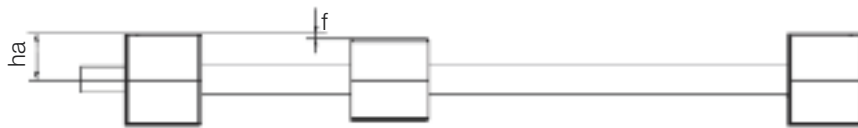
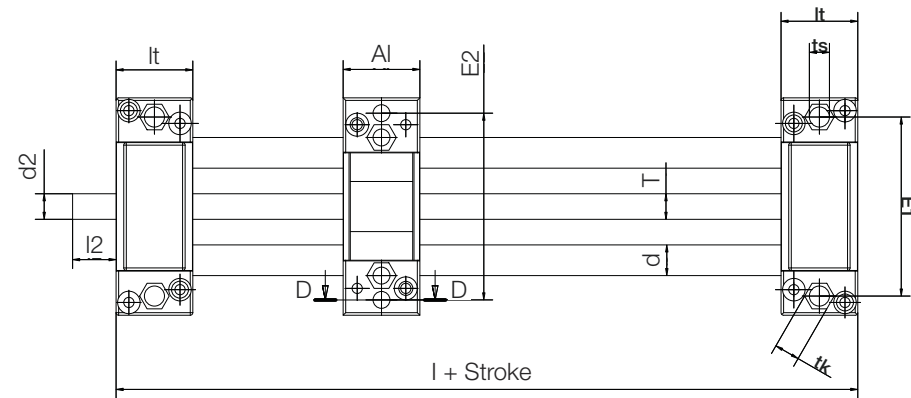
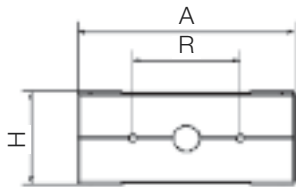
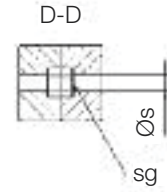


HTSP is the most cost-effective and lightweight unit available. Recommended for handling low weight applications by hand or low-speed motor. HTSP works well in corrosive environments.



Special properties

- Solid plastic version
- Light weight
- Cost-effective
- Corrosion resistant
- Hand wheel optional



Component Materials

Part No.	Shafting	End blocks/Carriages	Bearings	Lead screw
HTSP	Hard Anodized AL*	iglide® plastic	iglide® plastic	Mild Steel**

*Case hardened carbon (1050) & Hardened stainless (440C) optional
 **Stainless (304SS) optional

Length (mm) and Weight

Part No.	Linear travel/rev	Maximum stroke length (mm)	Aluminum shaft		Special properties
			weight (kg)	Add'l weight (kg) (per 100 mm)	
HTSP-01-12	2	500	0.35	0.11	Liners and TR nuts made from iglide® J
HTSP-02-12	2	500	0.35	0.11	Bearing and nut integrated into carriage

Dimensions (mm)

Part No.	A	A1	H	E1	E2	E3	I	R	f	l1	tk	ts
HTSP-01-12	85	30	36	70	73	-	90	42	2	30	10	6.6
HTSP-02-12	85	30	36	70	73	-	90	42	2	30	10	6.6

Part No.	s	sg	d	T standard	l2	d2*	ha	Max. static load-bearing capacity	
								axial (N)	radial (N)
HTSP-01-12	6.3	M6	12	TR10x2	17	TR10x2	18	45	800
HTSP-02-12	6.3	M6	12	TR10x2	17	TR10x2	18	45	800

(1N = .225 lbs)

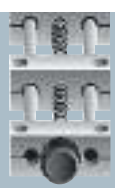
* Standard versions supplied with lead screw end unmachined, optional 6mm available

Lifetime calculation, CAD files online: www.igus.com

DryLin®
Linear Slide Tables

PDF: www.igus.com/drylin-pdfs
 CAD: www.igus.com/drylin-CAD
 RoHS info: www.igus.com/RoHS



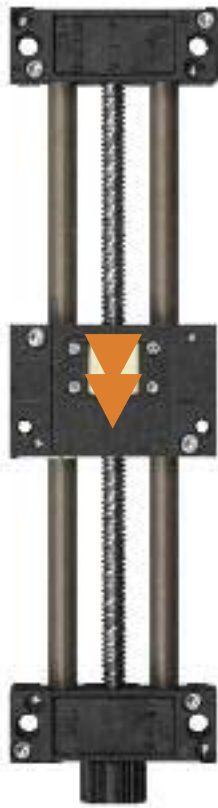


DryLin® Linear Slide Table - HTS HTSP-FF - Fast Forward

DryLin®
Linear Slide Tables

Telephone 1-800-521-2747
Fax 1-401-438-7270

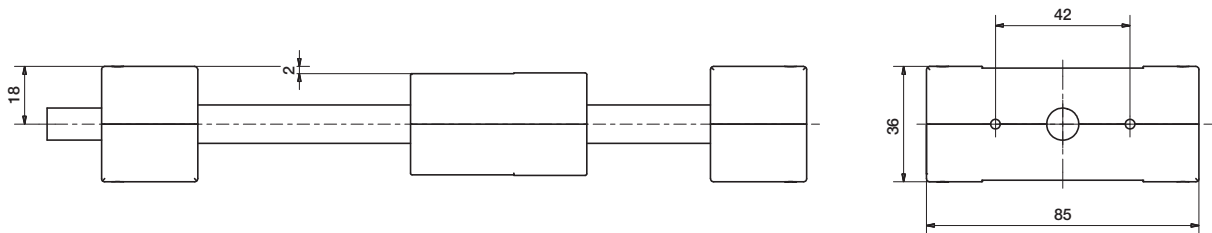
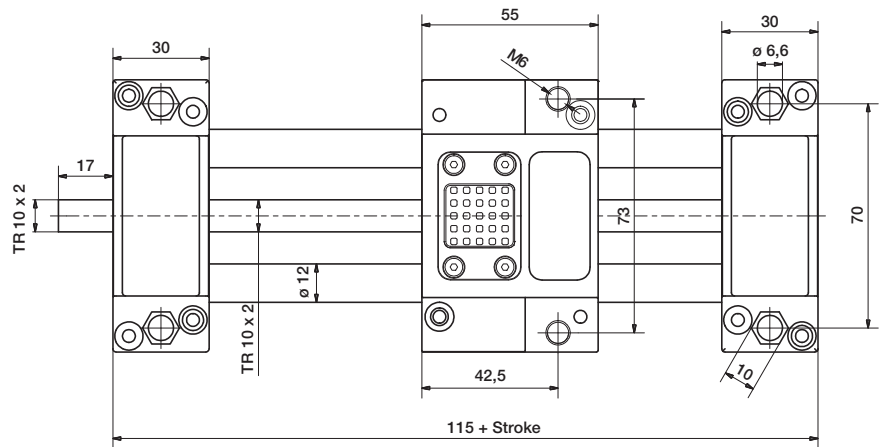
Internet: <http://www.igus.com>
email: sales@igus.com
QuickSpec: <http://www.igus.com/drylin-quickspec>



HTSP linear tables with quick release mechanism offer a combination of accurate positioning and quick manual adjustment.

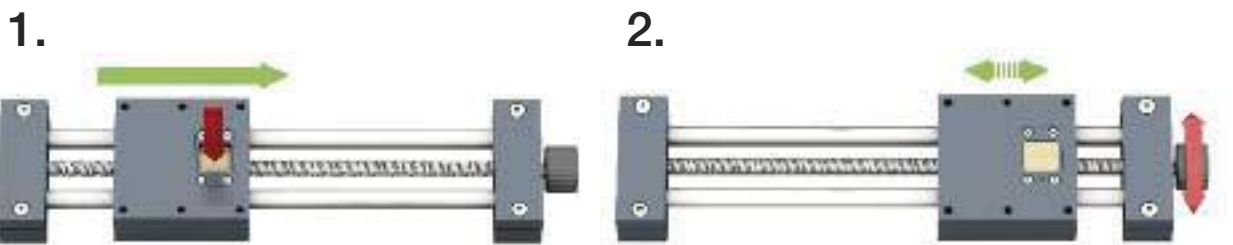
Special properties

- Light solid polymer carriages and end blocks
- For fast format adjustments
- Including self-locking brake
- Variable stroke length
- Only recommended for horizontal applications
- Max. static axial load 200 N
- Max. dynamic axial load 50 N
- Hand wheel optional



Part number	Max. length of stroke (mm)	Weight (kg)	Additional weight pro 100 mm
HTSP-01-12-AWM-FF*	750	1.1	0.1

*Liners and trapezoidal lead screw nut made of iglide® J



Press > disengage > move manually > click into place > fine-tune